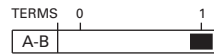


# auto electrical parts

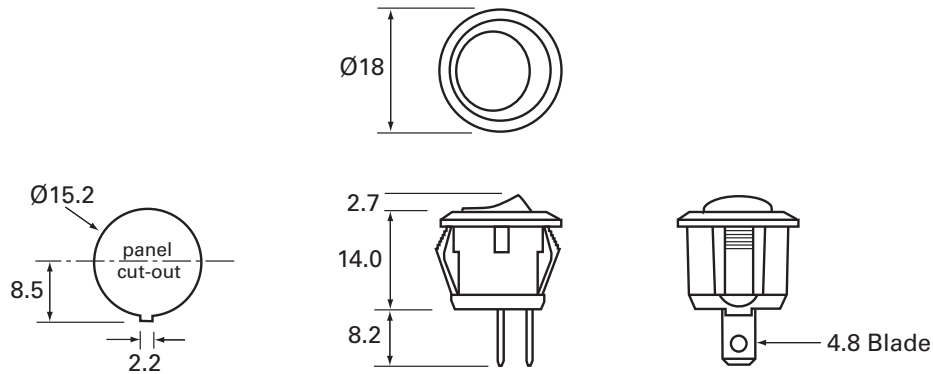
## Technical Information Sheet

### Part No. 0-531-00

On/off, single pole switch, miniature plastic rocker and 4.8mm blade terminals. Snap fits into 15mm diameter panel hole. 6 amp at 12 volts dc rating.



### Technical Drawing (not to scale)



### Specification

Type	Single pole 2 position on/off rocker switch
DC current rating @12 volts	6 amps
Terminals	4.8mm lucar blade
Terminal material	Brass
Temperature range	-20°C to 85°C
Contact resistance	≥50mΩ
Electric strength	500vdc/1500vac
Insulation resistance	≤100MΩ
Material	Nylon
Panel cut-out	15mm
Panel depth	3.0mm max
Weight	10g
Dimensions	Ø18 x h 24.9mm (including lever and terminals)

The information contained in this document is correct to the best of our knowledge at the time of printing. However, specifications may change at any time without notice.